

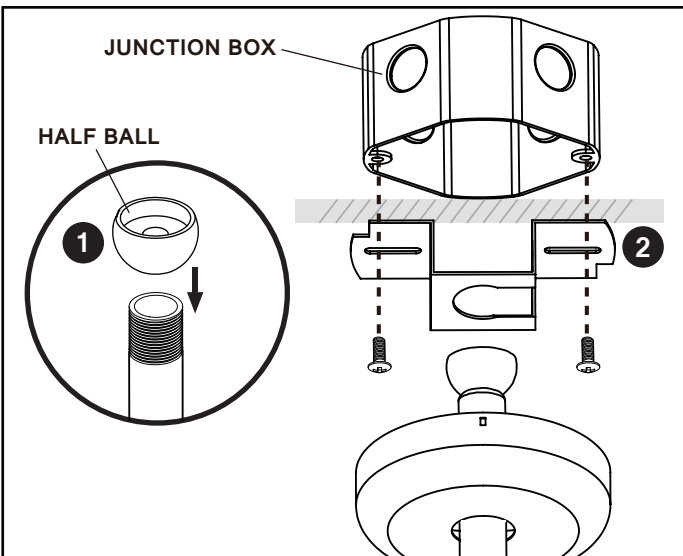
ADVANCED HIGH CEILING 4" Cylinder Series - Stem(0-10V / Triac)



IMPORTANT SAFETY INFORMATION. READ AND FOLLOW ALL SAFETY INSTRUCTIONS

IMPORTANT SAFETY INFORMATION. READ AND FOLLOW ALL SAFETY INSTRUCTIONS. Before wiring to power supply and during servicing or relamping, turn off power at fuse or circuit breaker. All servicing or relamping must be performed by qualified service personnel. Product must be grounded to avoid potential electric shock or other potential hazard. Product must be at locations and at heights and in a manner consistent with its intended use, and in compliance with Electrical Code and local codes.

SAVE THESE INSTRUCTIONS FOR FUTURE REFERENCE.



Step 1

Secure half ball with stem.

Step 2

Attach swivel crossbar to junction box (by others).

Step 3

Loop the safety cable around swivel crossbar.

Step 4

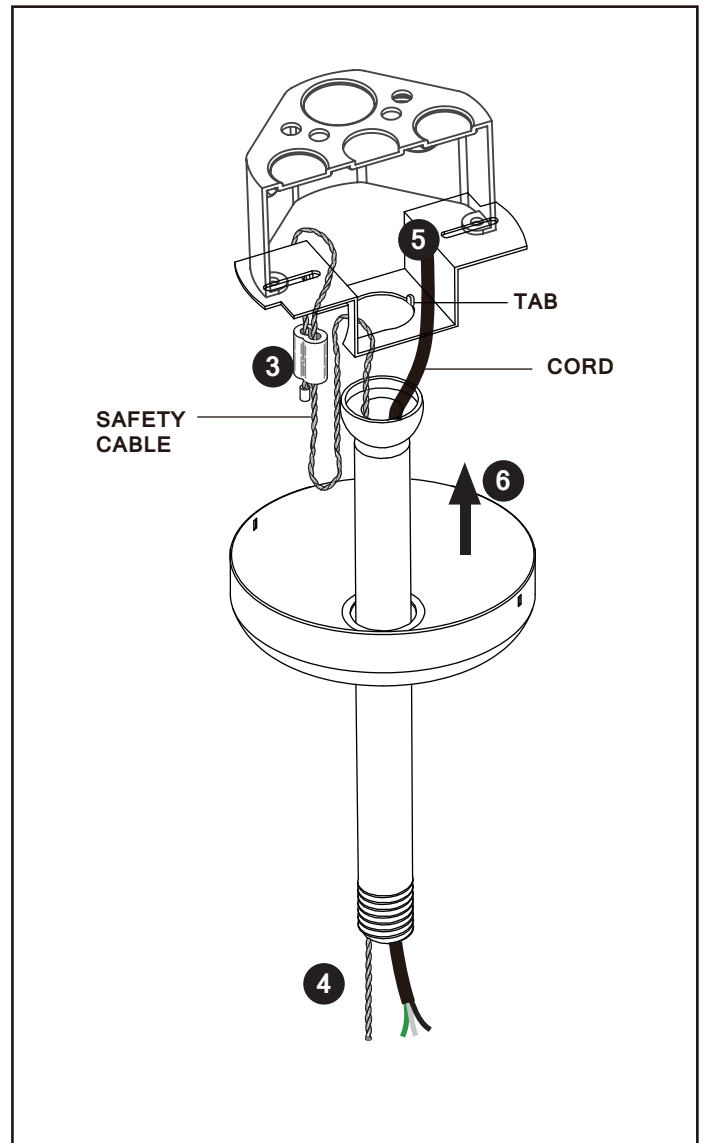
Feed the safety cable and power cord through the stem and insert half ball joint into slot on swivel crossbar. Align the slot on ball joint with the tab on the swivel crossbar.

Step 5

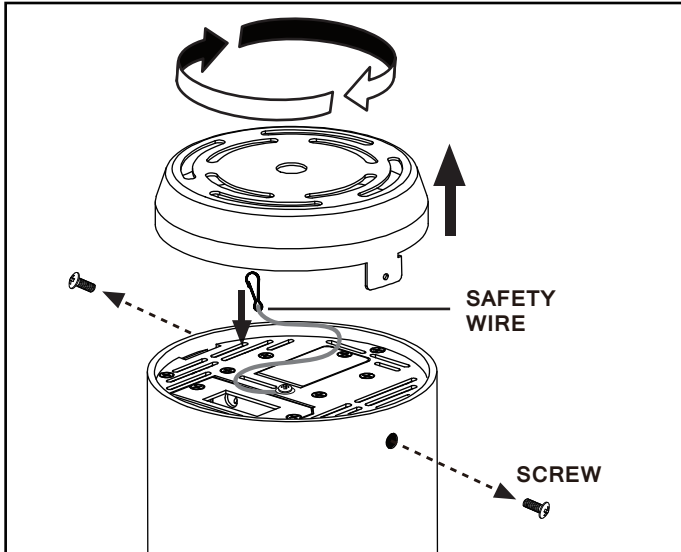
Make electrical connections in junction box. (See below)

Step 6

Install canopy cover by aligning the tabs on crossbar with slots in the cover.

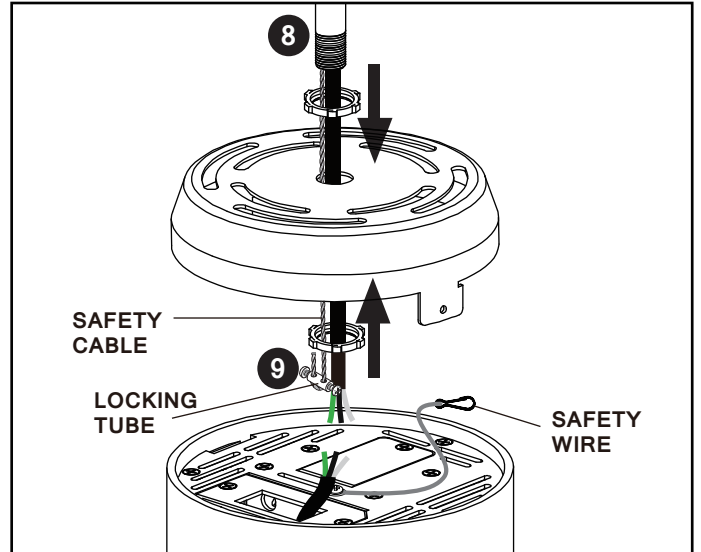


ADVANCED HIGH CEILING 4" Cylinder Series - Stem (0-10V / Triac)



Step 7

Loosen two screws on the side of the fixture. Twist and lift up the lid from cylinder. Unhook the safety wire from cylinder to detach the lid.

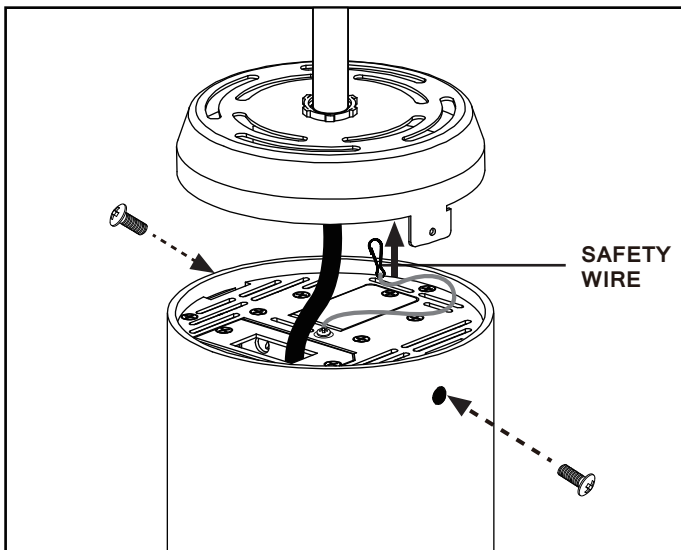


Step 8

Slide stem through lid and screw nuts on both sides of lid. Ensure stem is securely fastened to lid.

Step 9

Insert the safety cable through cable slot on lid and loop the cable using locking tube on the other side of stem and tighten the screws. Make electrical connections inside the fixture.



Step 10

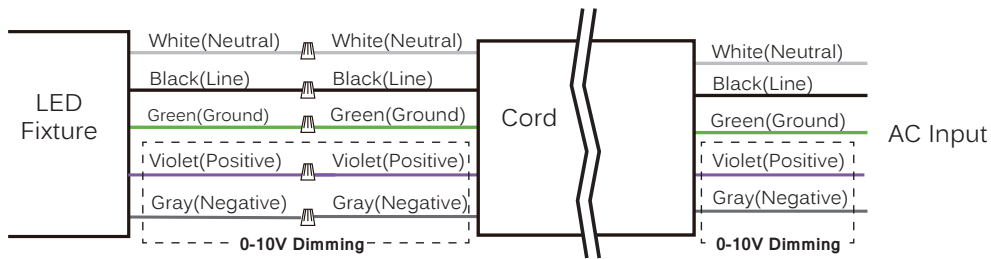
Hook the safety wire. Replace lid and secure two screws.

ADVANCED HIGH CEILING 4" Cylinder Series - Stem (0-10V / Triac)



Wiring Diagram

STV & SPV



TRIAC

